

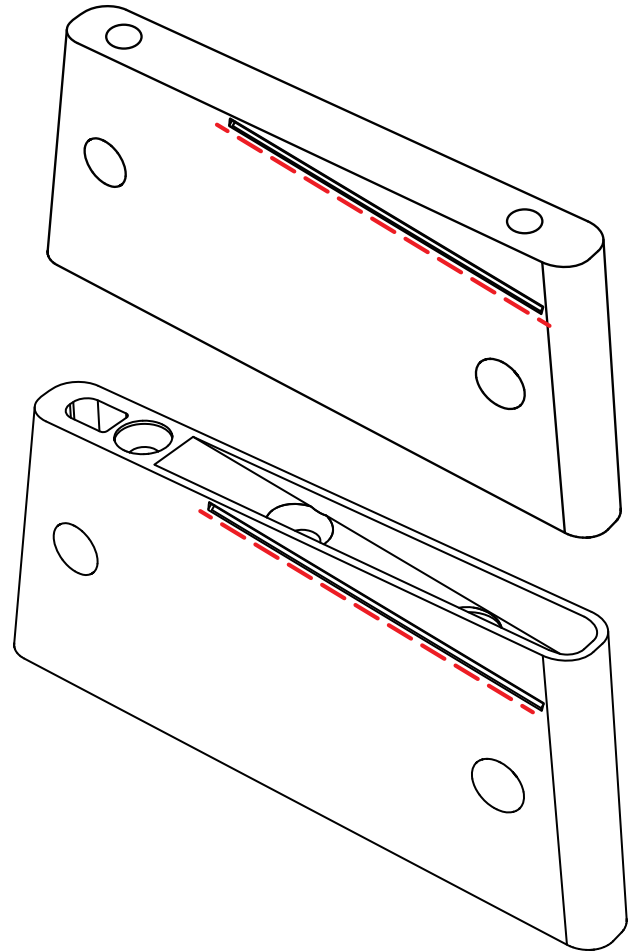
2 in 1 FOIL BOX FITTING GUIDE



Most foil boxes have a flat bottom. Our mast head is supplied flat for best support.



Some foil boxes are sloped. Trim the mast head along the red dotted line to fit a sloped Foil Box.



Note: the top of mast head must make contact with the bottom of the foil box for correct support.